

# UNBRAKED AXLE 500 KG BASIC

## APPLICATIONS / USE

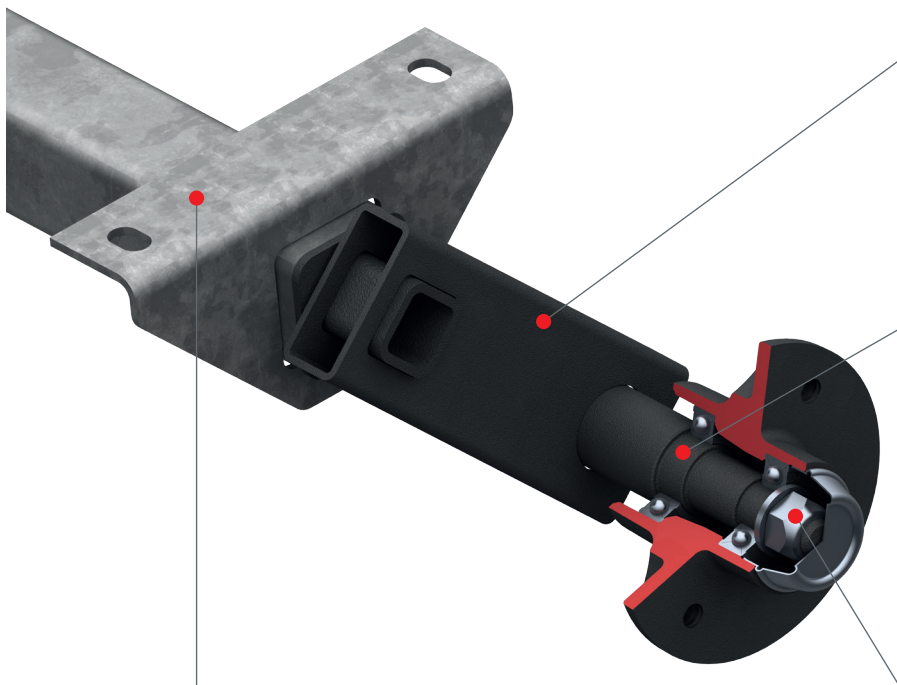


The axle is developed and approved exclusively for private use.  
Commercial use is not permitted.



### SUSPENSION

Proven maintenance-free square rubber suspension



### SQUARE PROFILE ROCKER ARM

### BEARINGS

Two high-quality, durable and maintenance-free deep groove ball bearings with double-sided lip seal. Greased and lubricated for life.

### SCREW CONNECTION AXLE STUBS/BEARING/HUB

This bearing combination is secured by a self-locking M16 nut. The nut connection must be inspected at regular intervals.

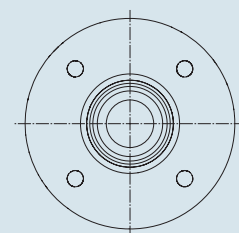
### SURFACE TREATMENT



Hot-dip galvanised axle body (without passivation).  
Primed inner tube, rocker arm and hub

## HUB VARIANTS AND POSSIBLE WHEEL CONNECTIONS

	Offset from - to mm	Possible wheel connections		
		100x4	98x4	101.6x4
Standard hub	Offset 0	x	x	x



# UNBRAKED AXLE 500 KG BASIC OPTIONS



The following options can be offered for a surcharge.

## 1. AXLE SUPPORTS

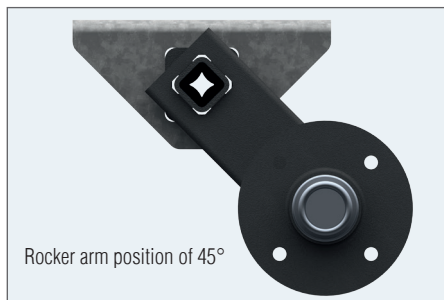
Our standard axle supports can be found on the next pages. Special axle supports are available for a minimum annual quantity of 500 axles.

Please let us know details about your body structure so that we can select the right version for you.



## 2. ROCKER ARM POSITION

In addition to our standard rocker arm position of 45° we optionally also offer 25°.



Rocker arm position of 45°



Rocker arm position of 25°

Axles

# UNBRAKED AXLE BASIC

500 kg, 98x4, 100x4



**SAP:** AXLE GU UBR EA 500 VKT BASIC

## Technology

<b>Model:</b>	<b>UBR 500</b>	Swing arm length:	135 mm
Axle type:	V500	Wheel connection:	98x4, 100x4, 101,6x4
Axle load:	SA 500 kg	Wheel bearing:	Deep groove ball bearing
Suspension:	Square rubber suspension	Centre hole rim:	min. 57 mm



Minimum order quantity per date and item number is 50 pieces.



## Order overview – available from MARCH 2016

OHF in mm	BC in mm	Single axle	Wheel bolts	Wheel bolts				
		Wheel bolts	Taper M 12x1.5	Taper M 12x1.5				
		98x4	100x4					
		Axle cpl.	Axle cpl.					
1010	700	200 604 01	200 605 01	15.0	-	50	25	
1060	750	200 604 02	200 605 02	15.3	-	50	25	
1110	800	200 604 03	200 605 03	15.6	-	50	25	
1160	850	200 604 04	200 605 04	15.8	-	50	25	
1210	900	200 604 05	200 605 05	16.1	-	50	25	
1260	950	200 604 06	200 605 06	16.3	-	50	25	
1310	1000	200 604 07	200 605 07	16.6	-	50	25	
1360	1050	200 604 08	200 605 08	16.8	-	50	25	
1410	1100	200 604 09	200 605 09	17.0	-	50	25	
1460	1150	200 604 10	200 605 10	17.3	-	50	25	
1510	1200	200 604 11	200 605 11	17.5	-	50	25	
1560	1250	200 604 12	200 605 12	17.8	-	50	25	
1610	1300	200 604 13	200 605 13	18.0	-	50	25	
1660	1350	200 604 14	200 605 14	18.3	-	50	25	
1710	1400	200 604 15	200 605 15	18.6	-	50	25	
1760	1450	200 604 16	200 605 16	18.8	-	50	25	
1810	1500	200 604 17	200 605 17	19.1	-	50	25	
1860	1550	200 604 18	200 605 18	19.3	-	50	25	
1910	1600	200 604 19	200 605 19	19.5	-	50	25	
1960	1650	200 604 20	200 605 20	19.8	-	50	25	
2010	1700	200 604 21	200 605 21	20.0	-	50	25	
2060	1750	200 604 22	200 605 22	20.3	-	50	25	
2110	1800	200 604 23	200 605 23	20.5	-	50	25	
2160	1850	200 604 24	200 605 24	20.8	-	50	25	

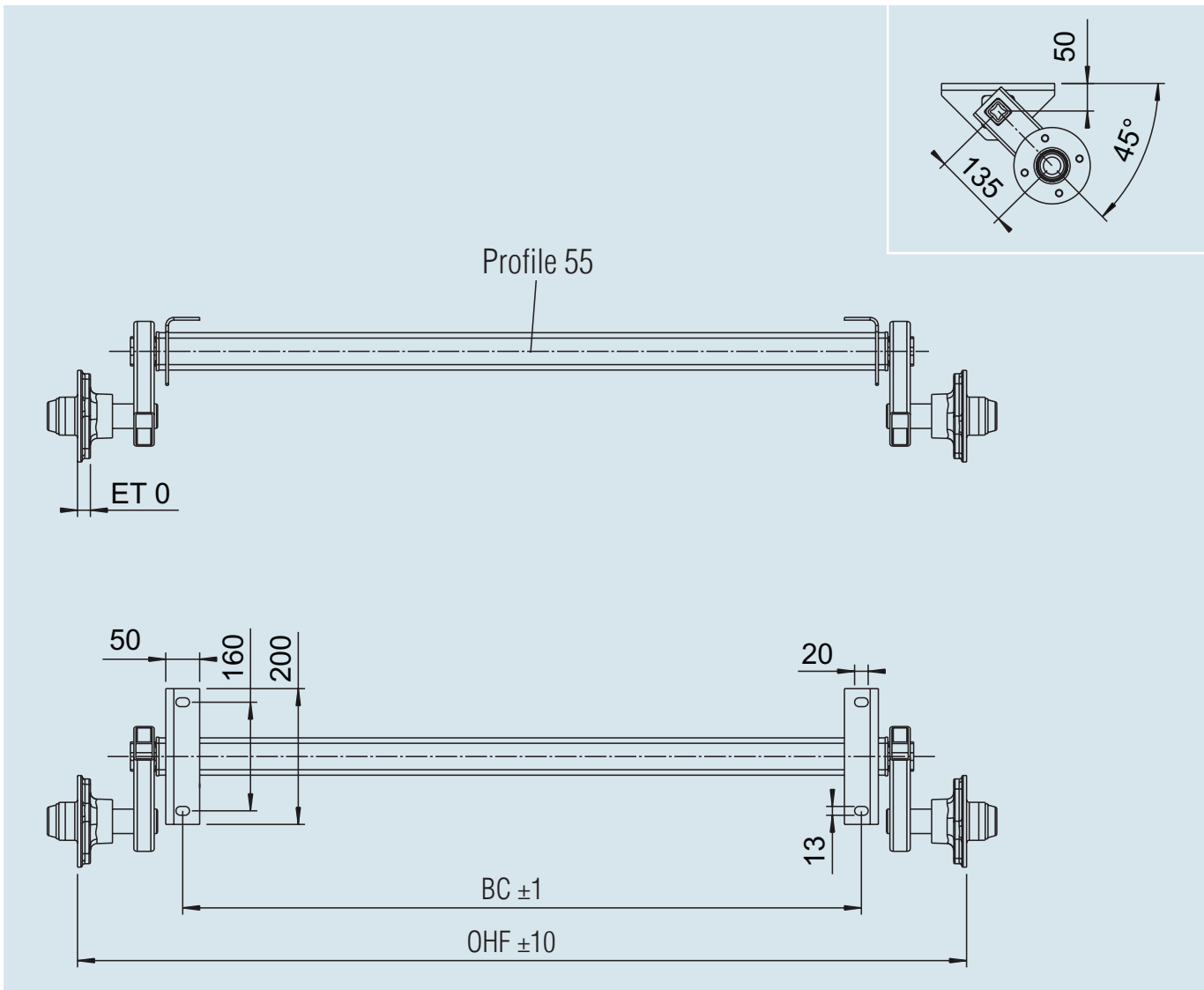
 **Scope of supply**

Loose wheel bolts

 **Surface treatment**

Hot-dip galvanised axle beam

**Single axle**



Axles

# UNBRAKED AXLE BASIC

500 kg, 98x4, 100x4



**SAP:** AXLE GU UBR EA 500 VKT BASIC

## Technology

**Model:** UBR 500

Axle type: V500

Axle load: SA 500 kg

Suspension: Square rubber suspension

Swing arm length: 135 mm

Wheel connection: 98x4, 100x4, 101,6x4

Wheel bearing: Deep groove ball bearing

Centre hole rim: min. 57 mm



Minimum order quantity per date and item number is 50 pieces.



## Order overview – available from MARCH 2016

OHF in mm	BC in mm	Single axle	Wheel bolts	Wheel bolts	Taper M 12x1.5	Taper M 12x1.5	Taper M 12x1.5	Taper M 12x1.5
		Wheel bolts	98x4	100x4				
		Axle cpl.	Axle cpl.					
1010	700	200 608 01	200 609 01	17.2	-	50	25	
1060	750	200 608 02	200 609 02	17.5	-	50	25	
1110	800	200 608 03	200 609 03	17.7	-	50	25	
1160	850	200 608 04	200 609 04	18.0	-	50	25	
1210	900	200 608 05	200 609 05	18.2	-	50	25	
1260	950	200 608 06	200 609 06	18.5	-	50	25	
1310	1000	200 608 07	200 609 07	18.7	-	50	25	
1360	1050	200 608 08	200 609 08	19.0	-	50	25	
1410	1100	200 608 09	200 609 09	19.2	-	50	25	
1460	1150	200 608 10	200 609 10	19.5	-	50	25	
1510	1200	200 608 11	200 609 11	19.7	-	50	25	
1560	1250	200 608 12	200 609 12	20.0	-	50	25	
1610	1300	200 608 13	200 609 13	20.3	-	50	25	
1660	1350	200 608 14	200 609 14	20.5	-	50	25	
1710	1400	200 608 15	200 609 15	20.8	-	50	25	
1760	1450	200 608 16	200 609 16	21.0	-	50	25	
1810	1500	200 608 17	200 609 17	21.3	-	50	25	
1860	1550	200 608 18	200 609 18	21.5	-	50	25	
1910	1600	200 608 19	200 609 19	21.7	-	50	25	
1960	1650	200 608 20	200 609 20	22.0	-	50	25	
2010	1700	200 608 21	200 609 21	22.2	-	50	25	
2060	1750	200 608 22	200 609 22	22.5	-	50	25	
2110	1800	200 608 23	200 609 23	22.7	-	50	25	
2160	1850	200 608 24	200 609 24	23.0	-	50	25	

 **Scope of supply**

Loose wheel bolts

 **Surface treatment**

Hot-dip galvanised axle beam

**Single axle**

